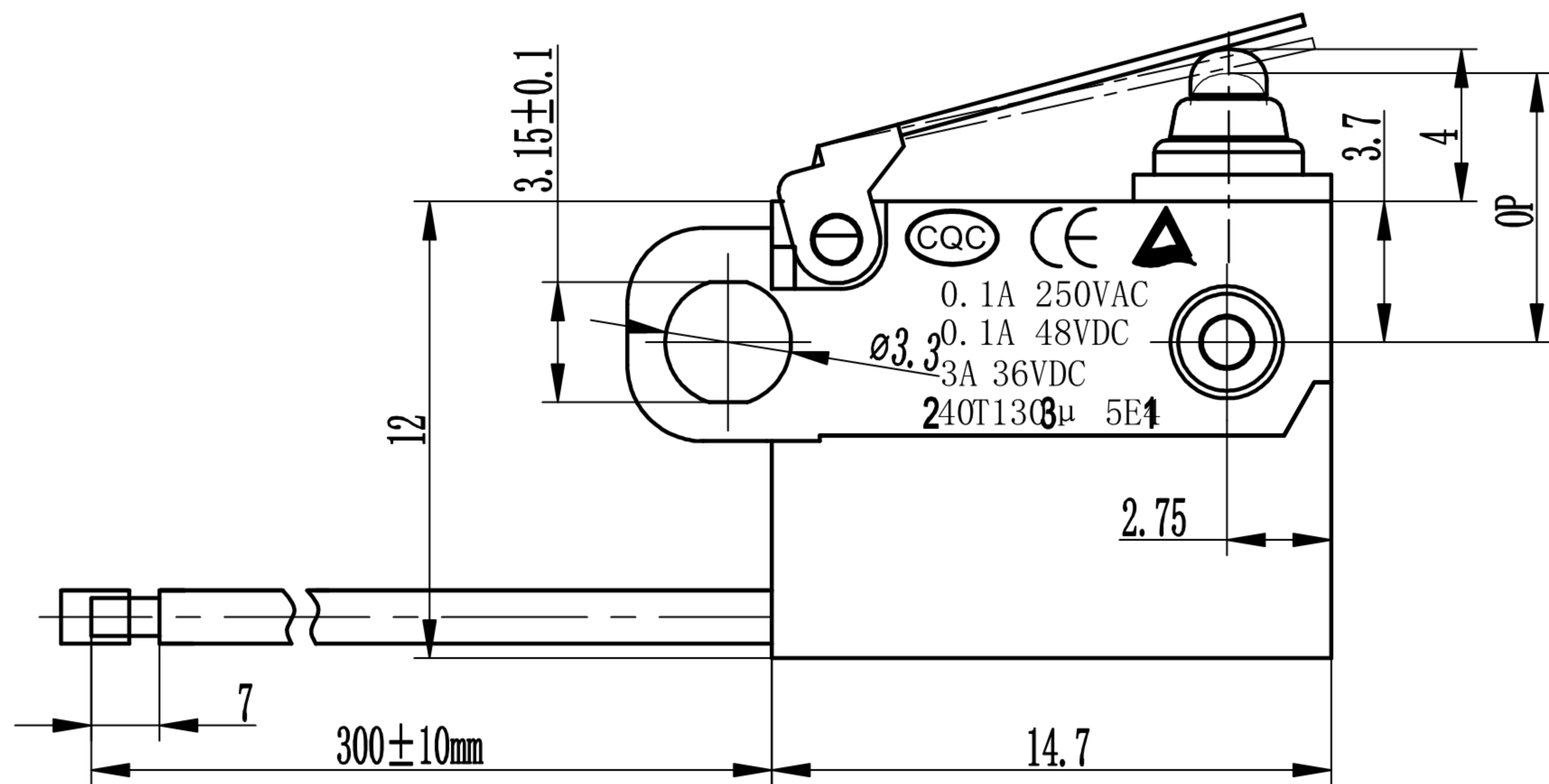




Waterproof grade:IP67



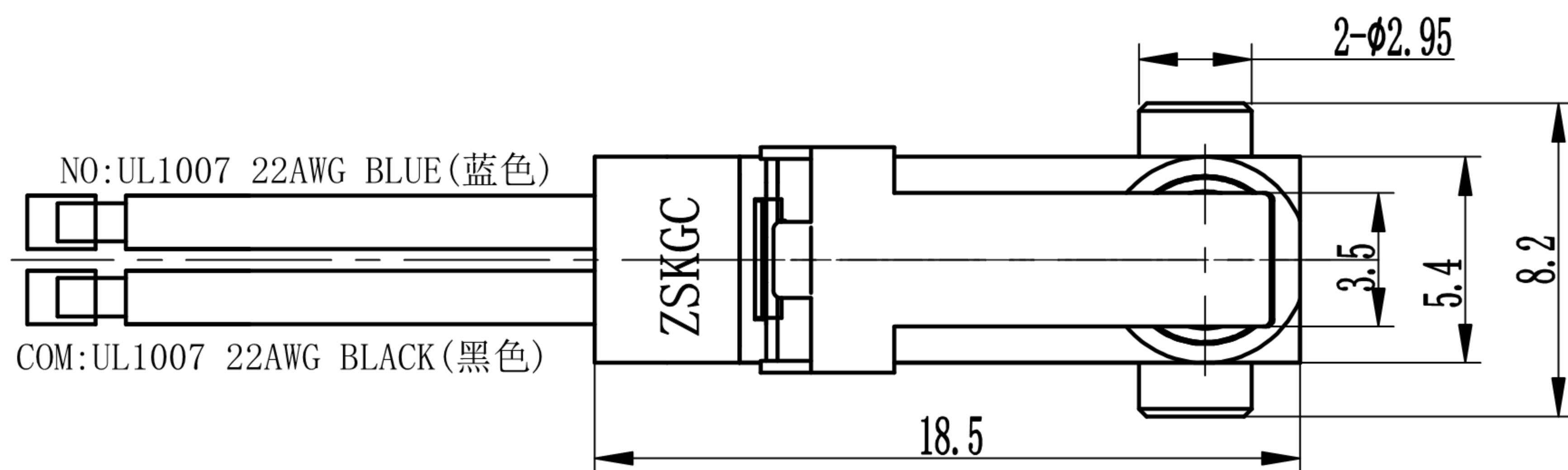
2. 认证

ULus
 0.1A 125/250VAC
 0.1A 48VDC
 3A 12VDC
 40T130 μ 1E5

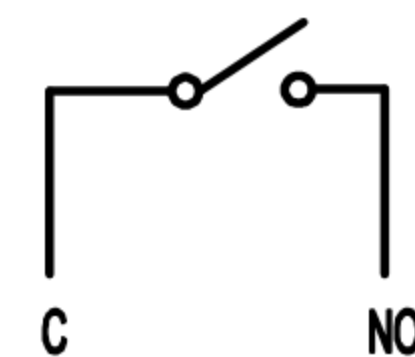
CQC CE
 0.1A 250VAC
 0.1A 48VDC
 3A 36VDC
 40T130 μ 5E4

1. 技术参数 (Technical Parameters)

序号	主要技术参数(Main Technical Parameters)
1	电气额定值(Electrical Rating): 0.1A 125/250VAC;3A/12VDC;0.1A/48VDC
2	电气寿命(Electrical lifetime): 1E4 cycles
3	机械寿命(Mechanical lifetime): Min.1E5 cycles
4	接触电阻(Contact Resistance): ≤100mΩ(不含电线)
5	操作力(Operating force): 1.2±0.4N
6	动作位置(OP): 7.2±0.5mm (推动子上测)
7	动作行程(Pretravel): 3.5 mm MAX
8	环境温度(Ambient temperature): 40T125
9	耐压(Withstand Voltage): 脚与脚 500V/60S/5mA;脚与壳 1500/60S/5mA
10	绝缘电阻(Insulation Resistance): ≥100MΩ (Test Voltage 500VDC)
11	漏电起痕指数Proof Tracking Index (PTI): 175V
12	防护等级: IP67
13	



3. 电路简图:



4. 材料配置表

10		密封胶	适量	环氧树脂
9	TD8.399.231(138)	FSK-20-D-157电线Q-31	1	UL1007 22# 黑
10	TD8.399.232(138)	FSK-20-D-157电线Q-32	1	UL1007 22# 蓝
9	TD7.205.350(138)	压杆A1	1	不锈钢
8	TD5.202.081(138)	动触片组件AA	1	铍青铜+银合金
7	TD8.207.061(138)	拉簧K1	1	不锈钢
6	TD7.204.015(138)	摆片A	1	不锈钢
5	TD9.999.014(138)	密封圈F	1	硅胶
4	TD7.102.121(138)	底盖 D3	1	PBT
3	TD4.301.079(138)	底座组件A2	1	
2	TD7.102.118(138)	上盖 E4	1	PA66
1	TD7.103.058(138)	推动子A1	1	POM

东莞市高迪电子有限公司
 DONG GUAN GAO DI ELECTRONICS CO., LTD

TOLERANCE UNLESS OTHERWISE STATED:
 Up to 5 ±0.2
 Above 5 ~ 15 ±0.3
 Above 15 ~ 30 ±0.4
 Above 30 ~ 50 ±0.5
 Angle ±0.3°

3RD. ANGEL'S

UNITS MM

DRAWN BY: DATE
 Ming Ming Zou 07/23/13

CHECKED BY: DATE
 Ning Ning Su 07/23/13

APPROVED BY: DATE
 Jia Xiang 07/23/13

MAT'L

FINISH

SCALE 1:1

SHEET NO. 1 of 1

TITLE Waterproof micro movement

MODLE Waterproof micro movement

DWG NO. GD-FSK-20-D157

PART NO.

SIZE A4

VER R2

ITEM NO.	DESCRIPTION	DRAWN	DATE
2	公差及料號更新	Jack	072313
1	圖面更新	Frank Wu	021012